

WEEK: 16

Week Beginning: (06/07/20)

Subject: MATHS

Year: 5

Lesson Objective:

- Understand how to work out volume of 3D shape
- Revisit decimal multiplication and division to act upon previous assessment feedback
- Be able to develop a clear understanding of decimals

Class Worksheets

- Volume questions
- Decimal questions

Homework

- Continue to work on these two topics

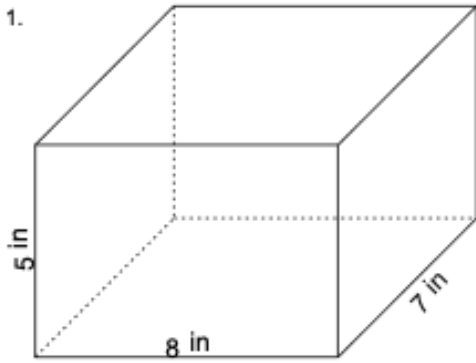
Additional Notes

- All lesson worksheets and **homework for next week (due Week 17)** worksheets can be found below
- Week 15 homework will be marked in lesson hence make sure it is fully complete

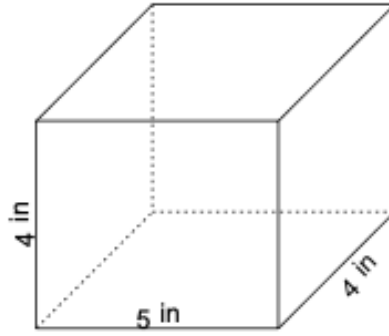
Please print 2 a page or open this document during the lesson to save paper!

Find the volume and surface area.

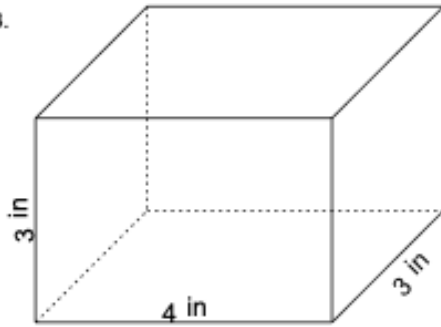
1.



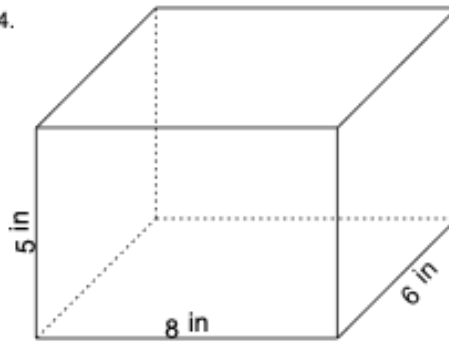
2.



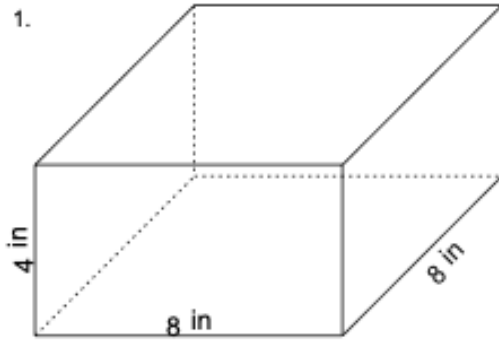
3.



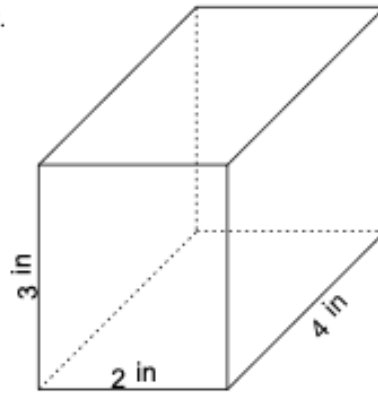
4.



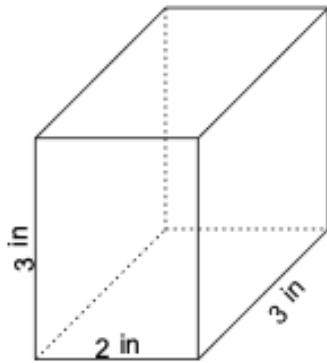
1.



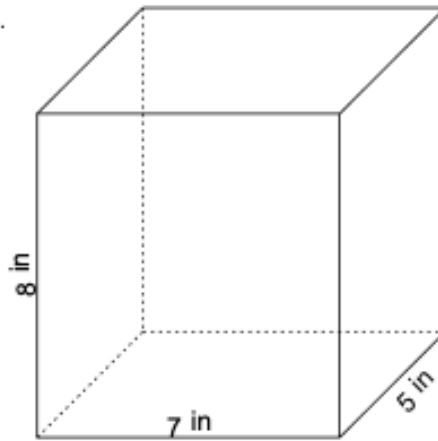
2.



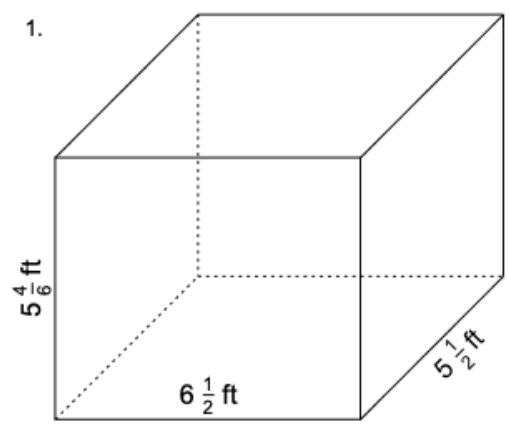
3.



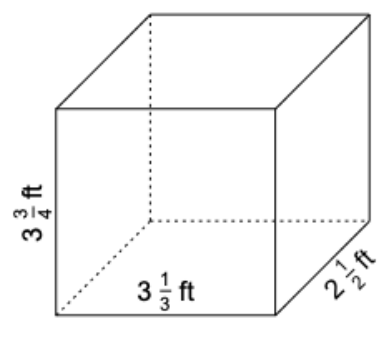
4.



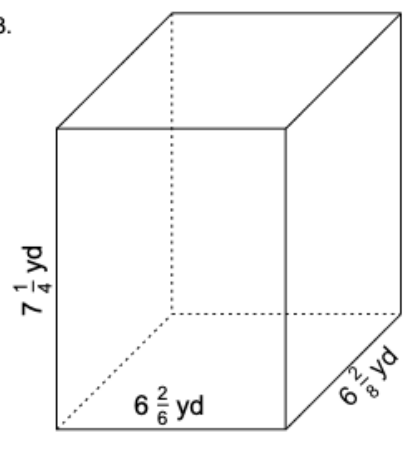
1.



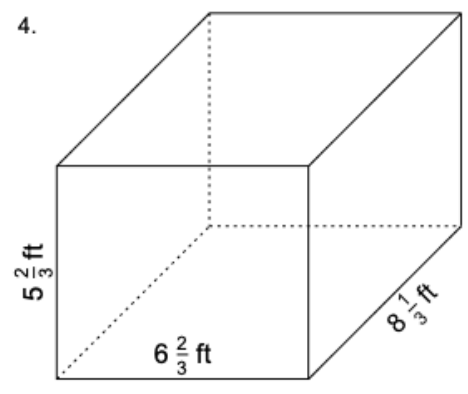
2.



3.



4.



Find the product.

1. $0.3 \times 0.3 =$ _____ 2. $0.1 \times 0.06 =$ _____

3. $0.3 \times 0.6 =$ _____ 4. $0.7 \times 0.7 =$ _____

5. $0.05 \times 0.05 =$ _____ 6. $0.02 \times 0.8 =$ _____

7. $0.2 \times 0.07 =$ _____ 8. $0.9 \times 0.07 =$ _____

9. $0.8 \times 0.9 =$ _____ 10. $0.05 \times 0.04 =$ _____

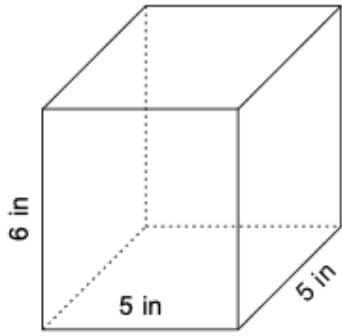
11. $0.05 \times 0.02 =$ _____ 12. $0.7 \times 0.09 =$ _____

13. $0.3 \times 0.5 =$ _____ 14. $0.02 \times 0.5 =$ _____

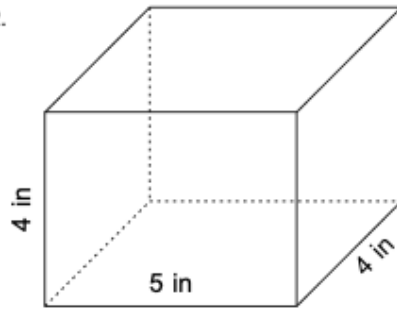
15. $0.06 \times 0.03 =$ _____ 16. $0.7 \times 0.02 =$ _____

Homework Questions:

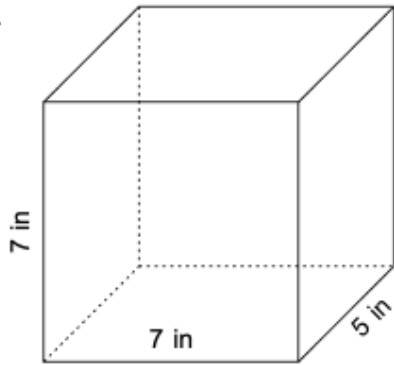
1.



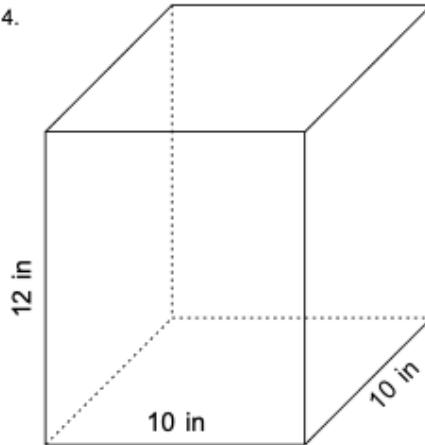
2.



3.



4.



Find the product.

1. $0.8 \times 0.9 =$ _____ 2. $0.02 \times 0.4 =$ _____

3. $0.1 \times 0.4 =$ _____ 4. $0.07 \times 0.2 =$ _____

5. $0.06 \times 0.07 =$ _____ 6. $0.8 \times 0.4 =$ _____

7. $0.3 \times 0.08 =$ _____ 8. $0.01 \times 0.02 =$ _____

9. $0.7 \times 0.09 =$ _____ 10. $0.3 \times 0.7 =$ _____

11. $0.05 \times 0.09 =$ _____ 12. $0.3 \times 0.05 =$ _____

13. $0.8 \times 0.05 =$ _____ 14. $0.4 \times 0.03 =$ _____

15. $0.06 \times 0.1 =$ _____ 16. $0.9 \times 0.08 =$ _____